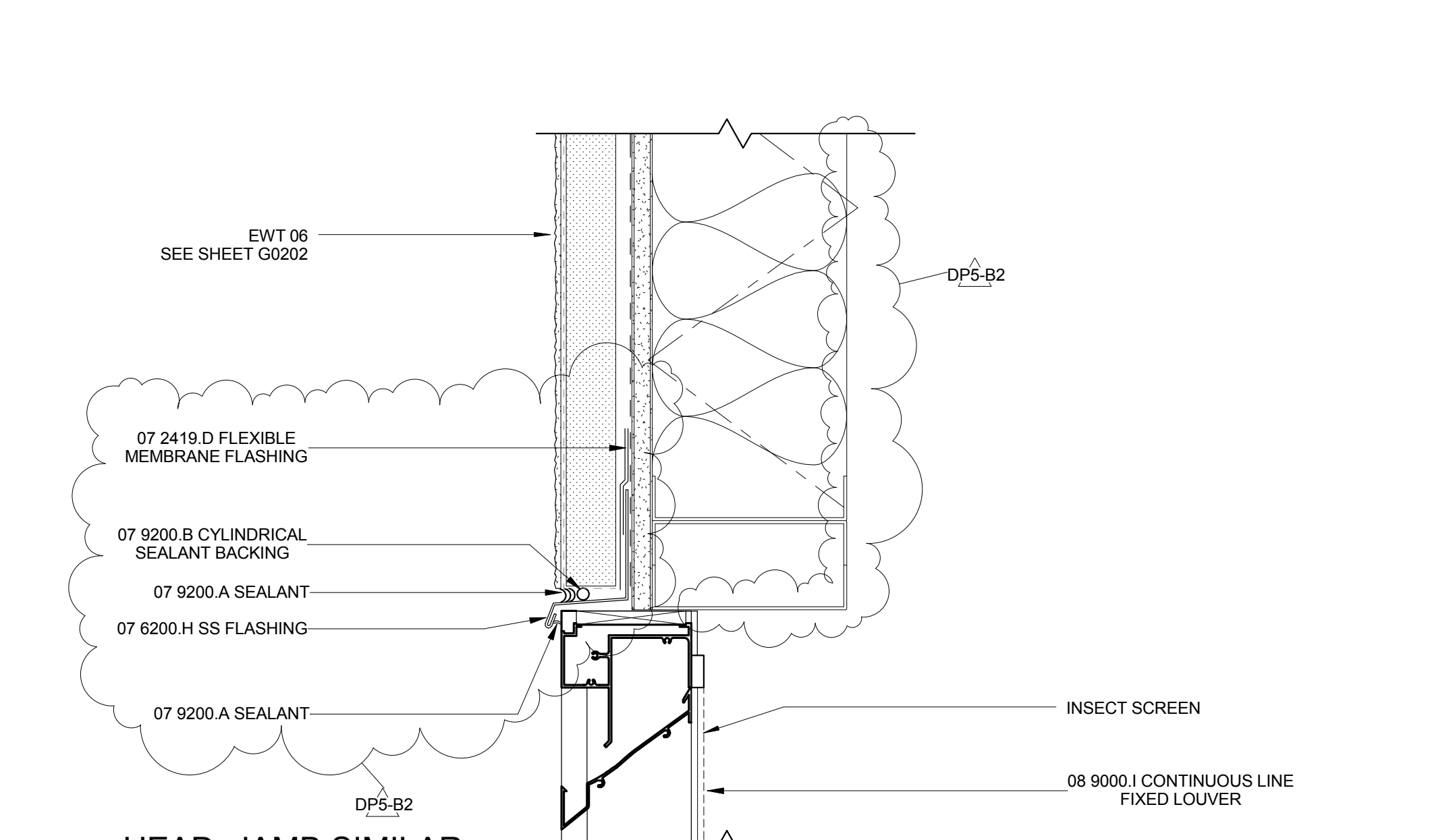
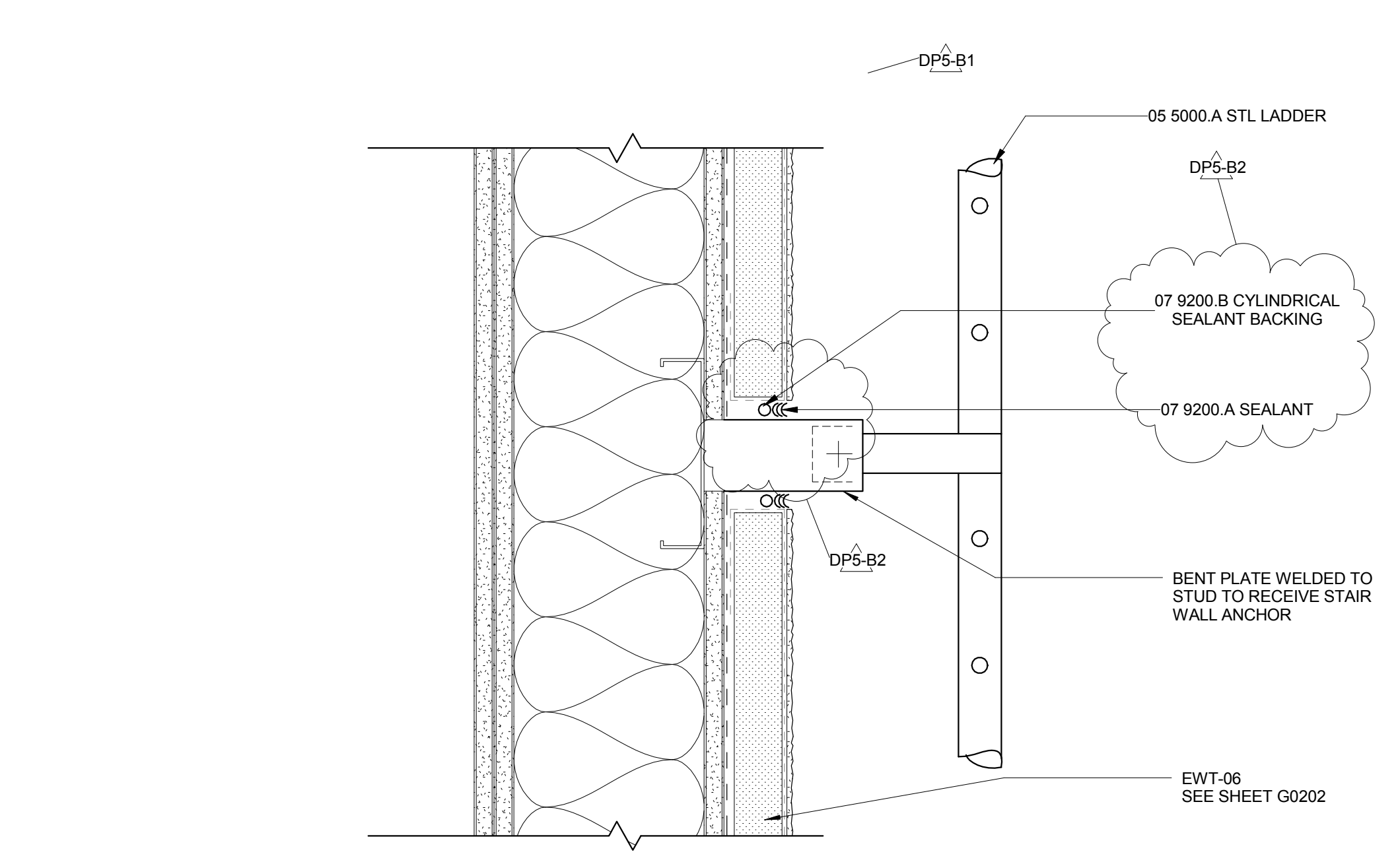


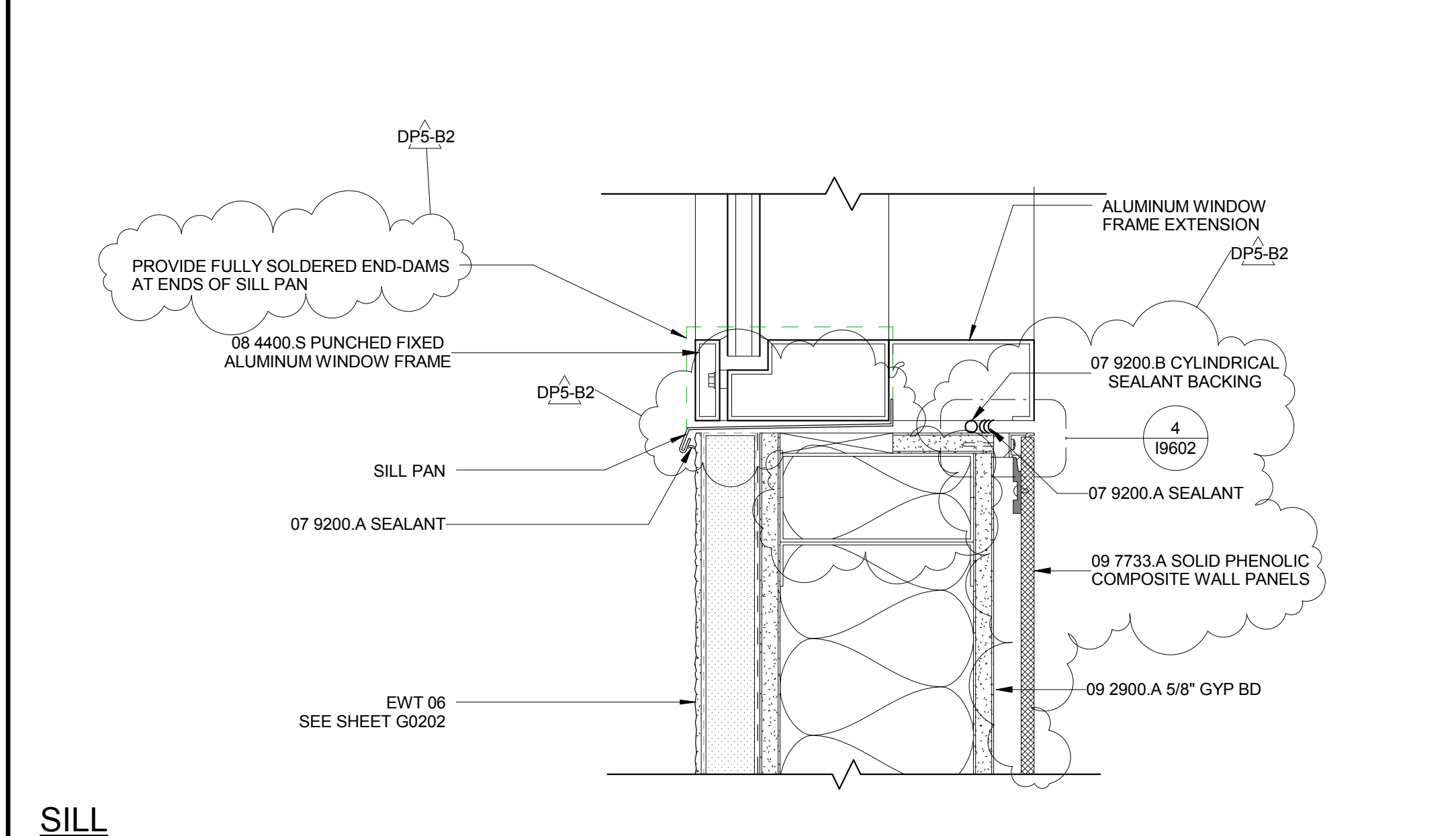
HEAD, JAMB SIMILAR



HEAD, JAMB SIMILAR

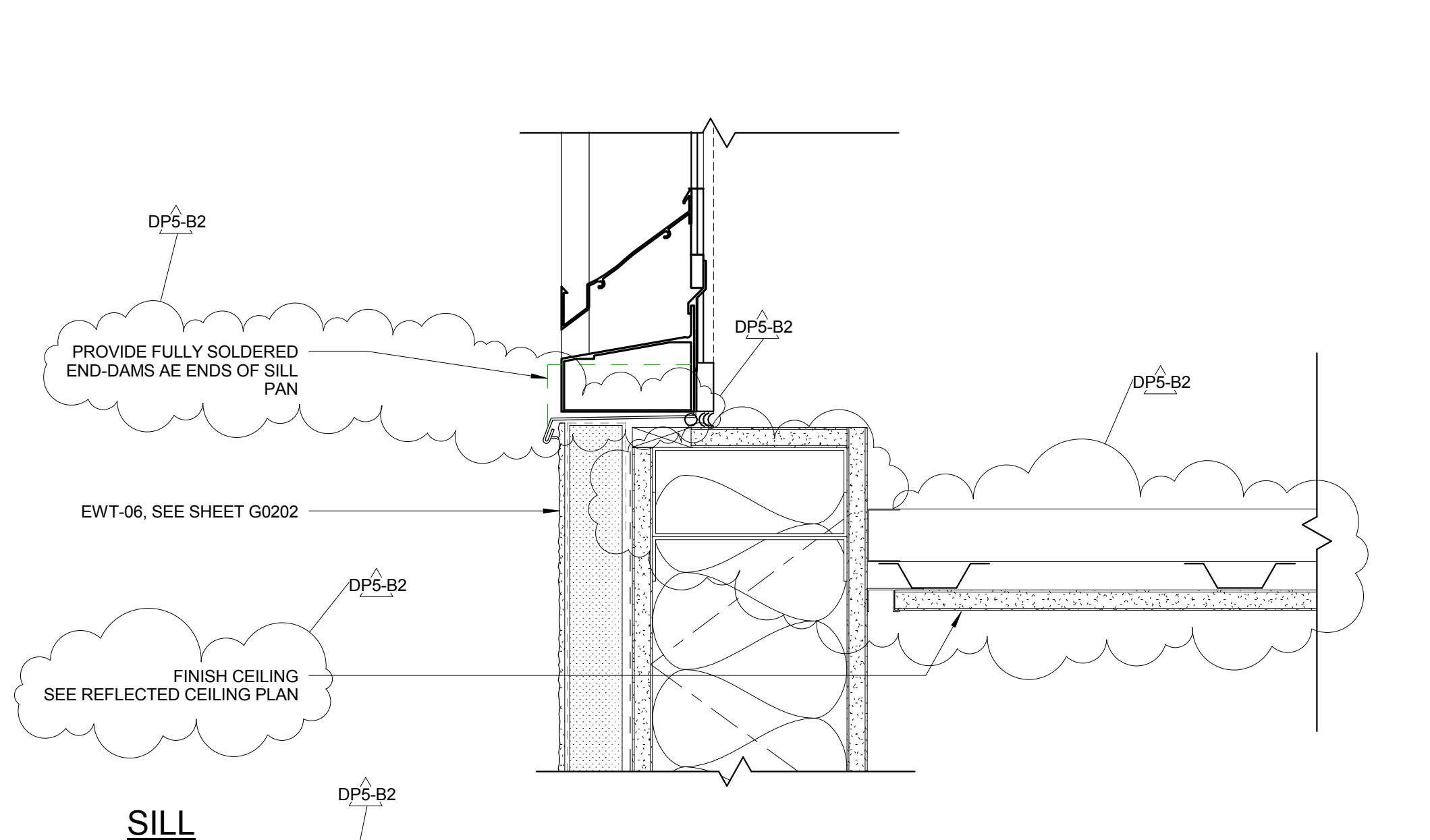


8 LADDER ATTACHMENT DETAIL



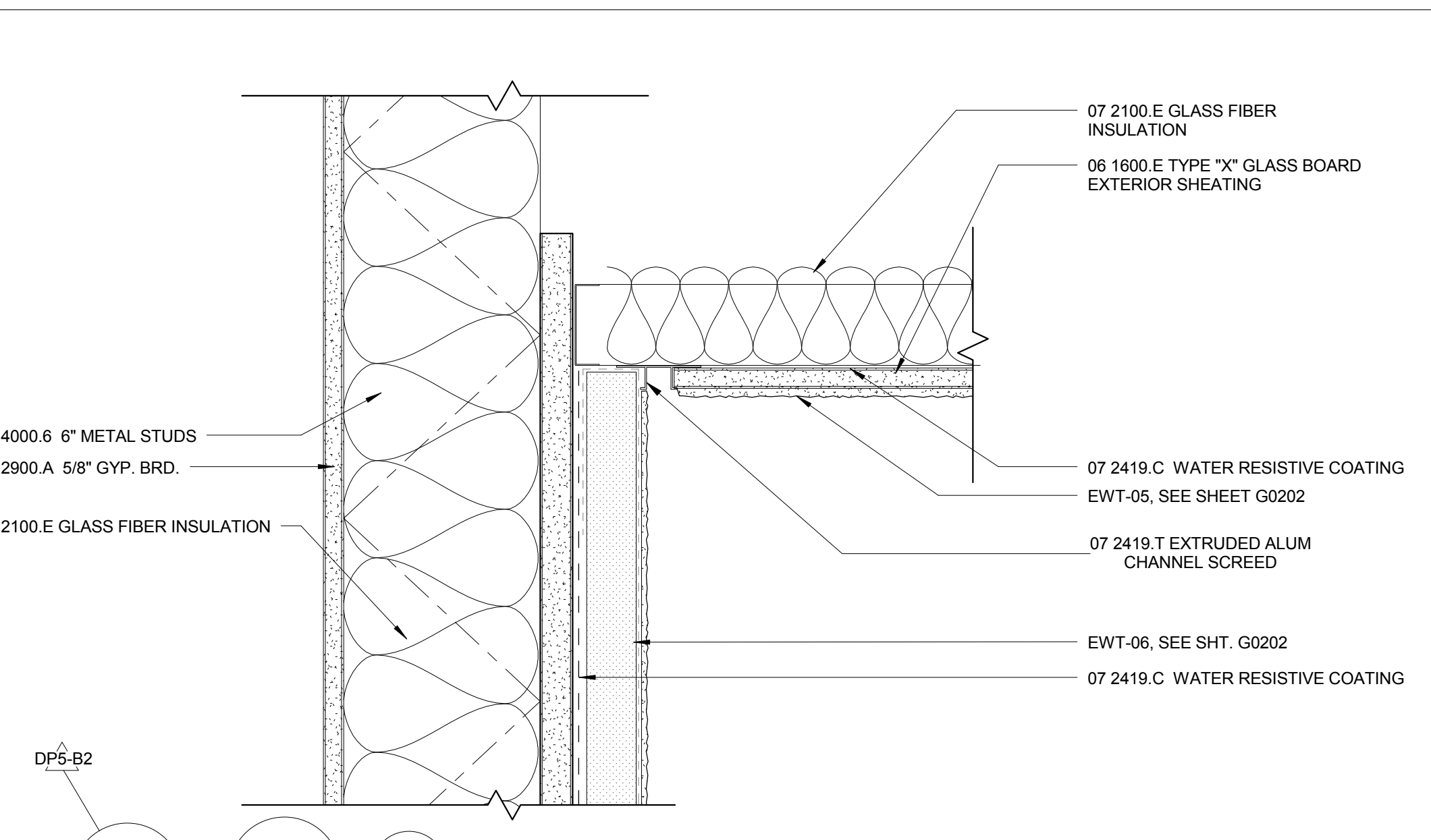
SILL

14 WINDOW DETAIL- SILL, HEAD

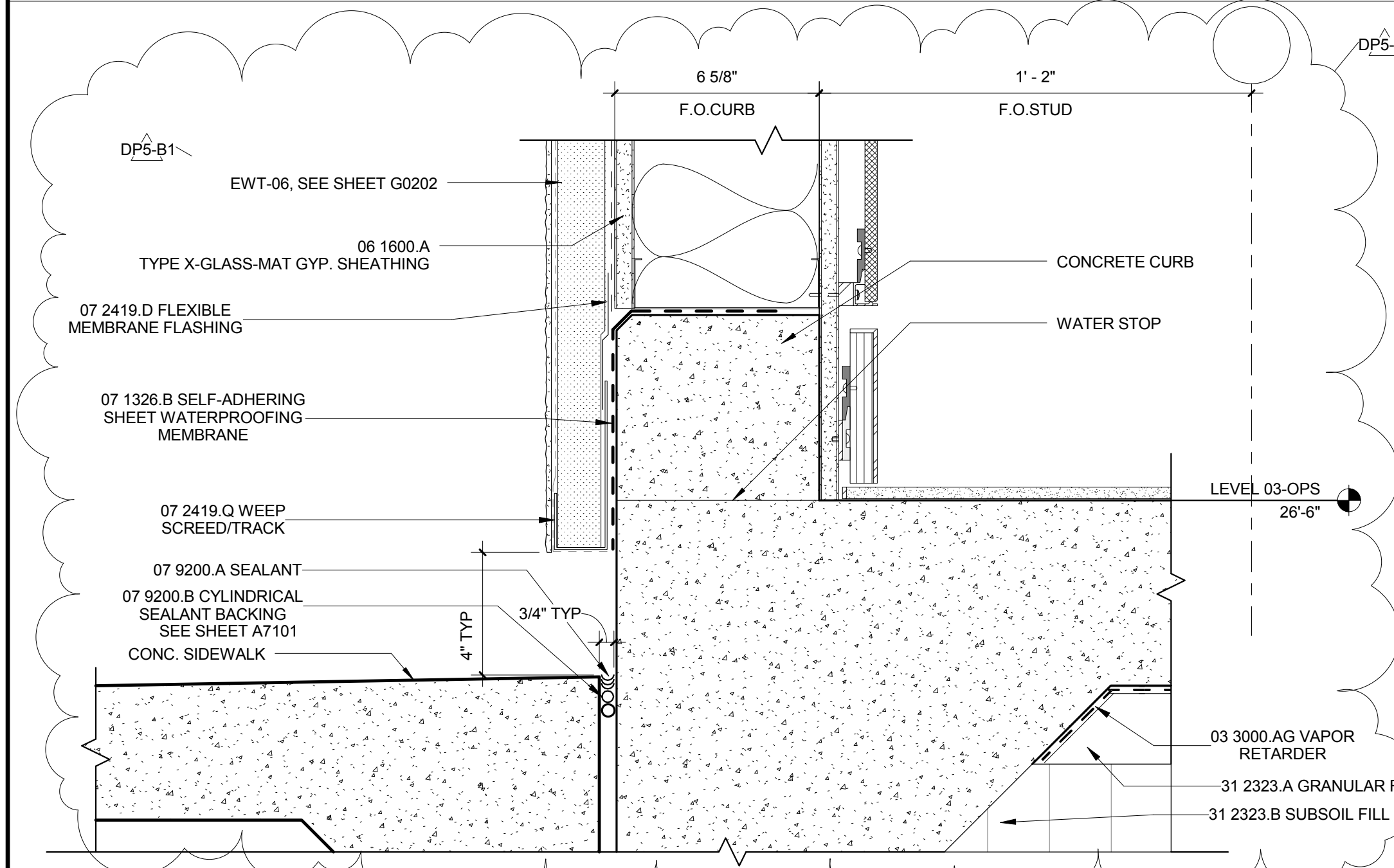


SILL

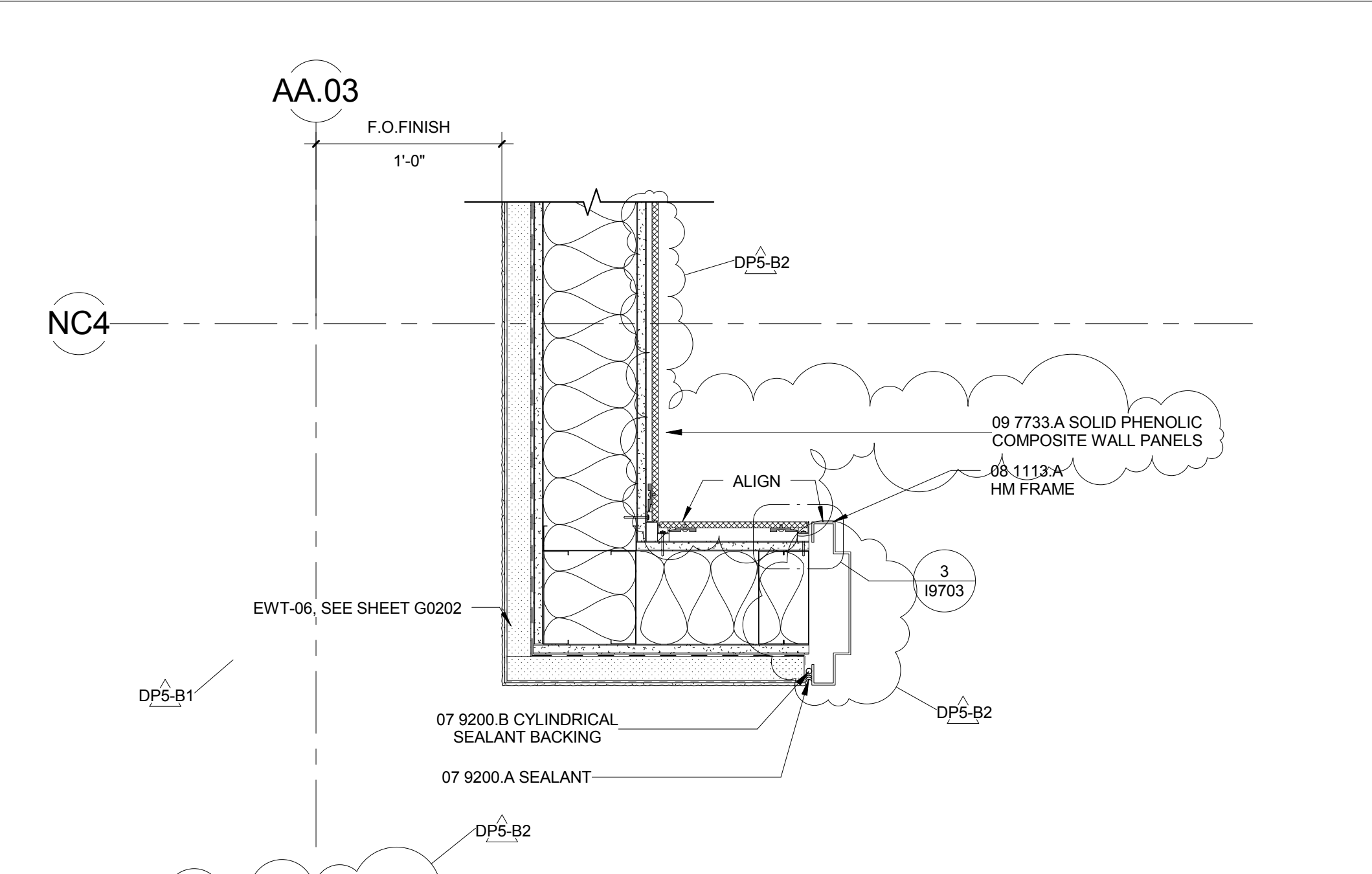
11 SILL AND HEAD DETAIL @ LOUVER



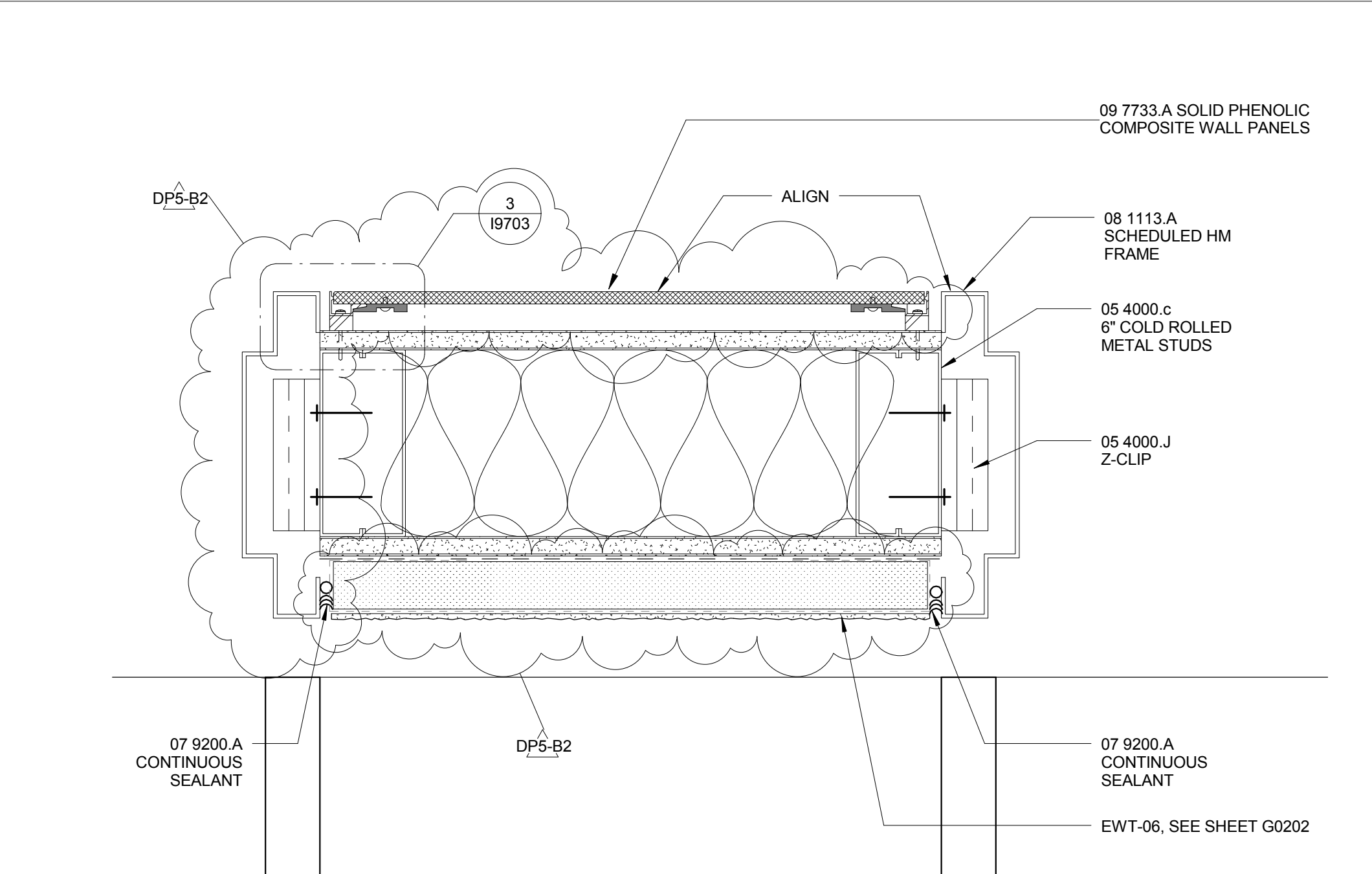
3 EIFS INT SOFFIT DETAIL



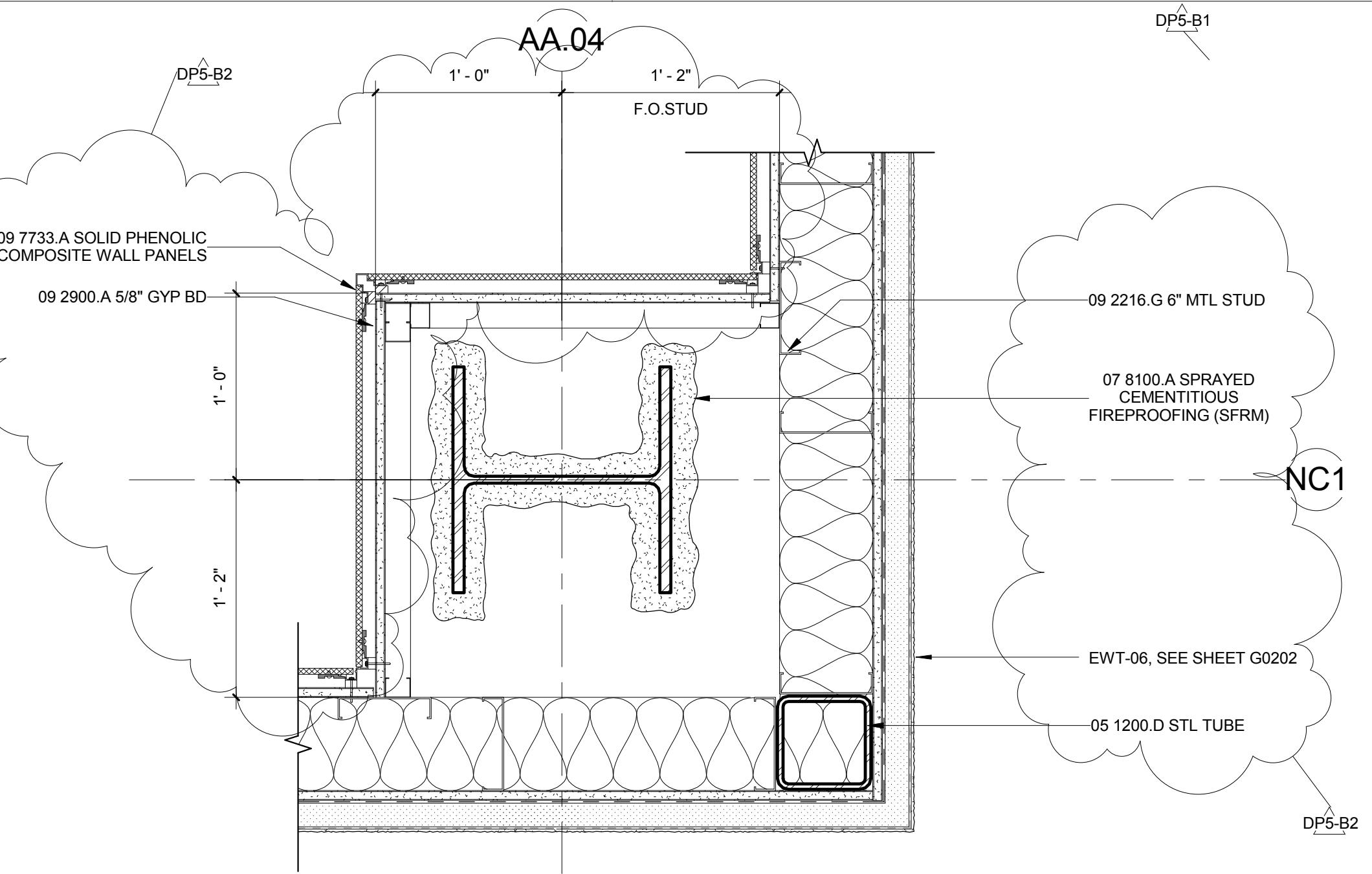
13 EIFS WALL AT GROUND



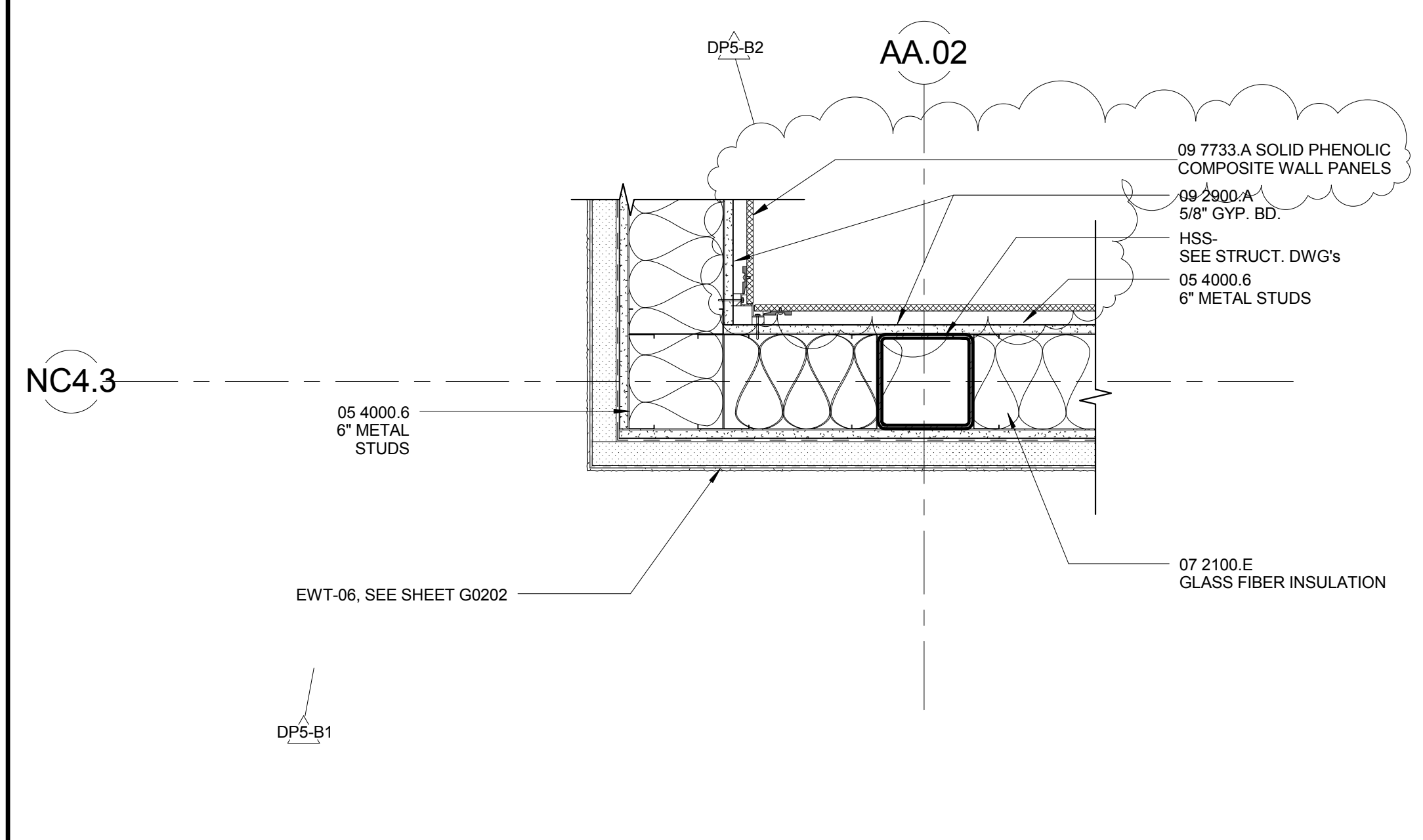
10 DOOR JAMB DETAIL



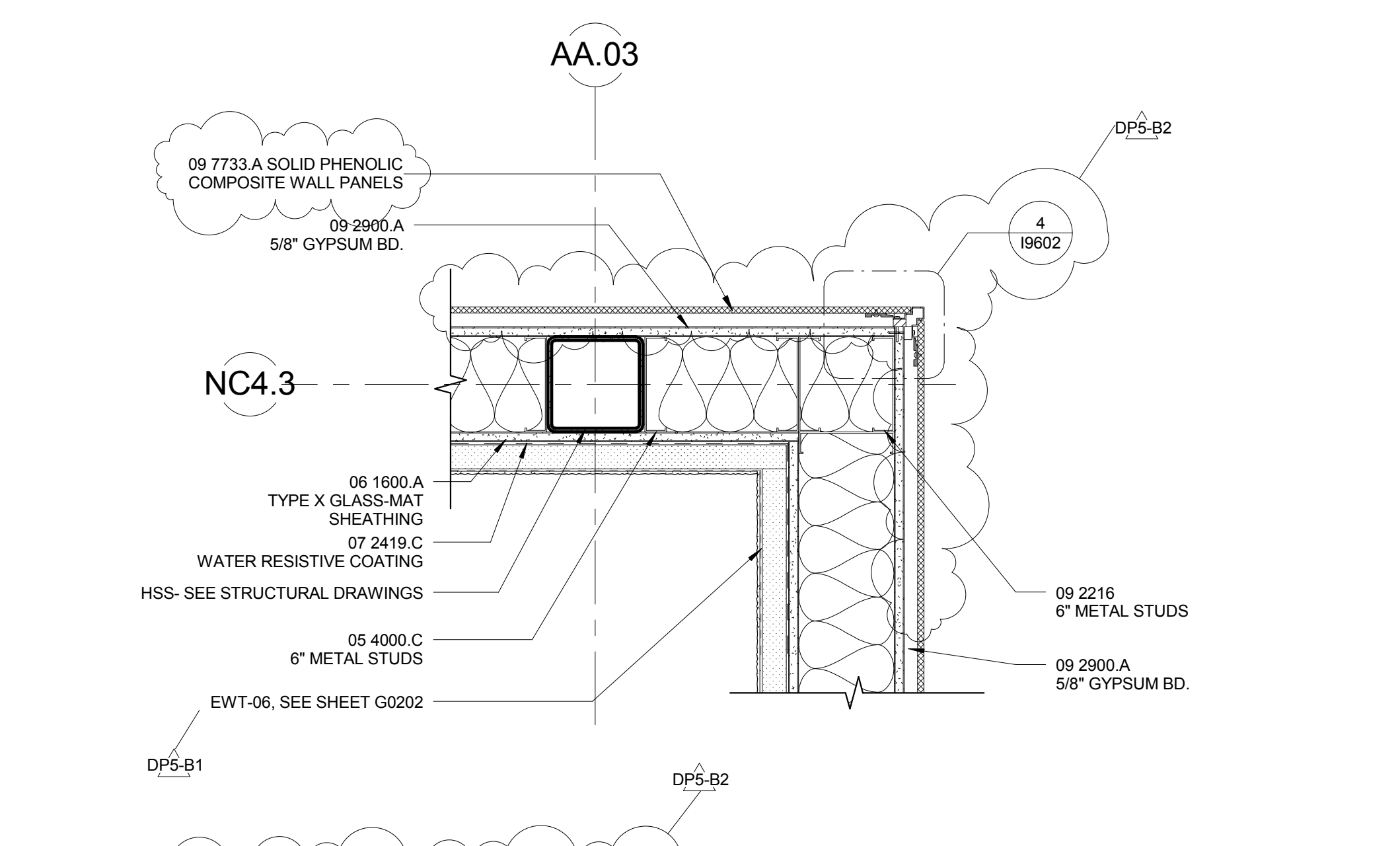
6 JAMB DETAIL - HEAD SIM.



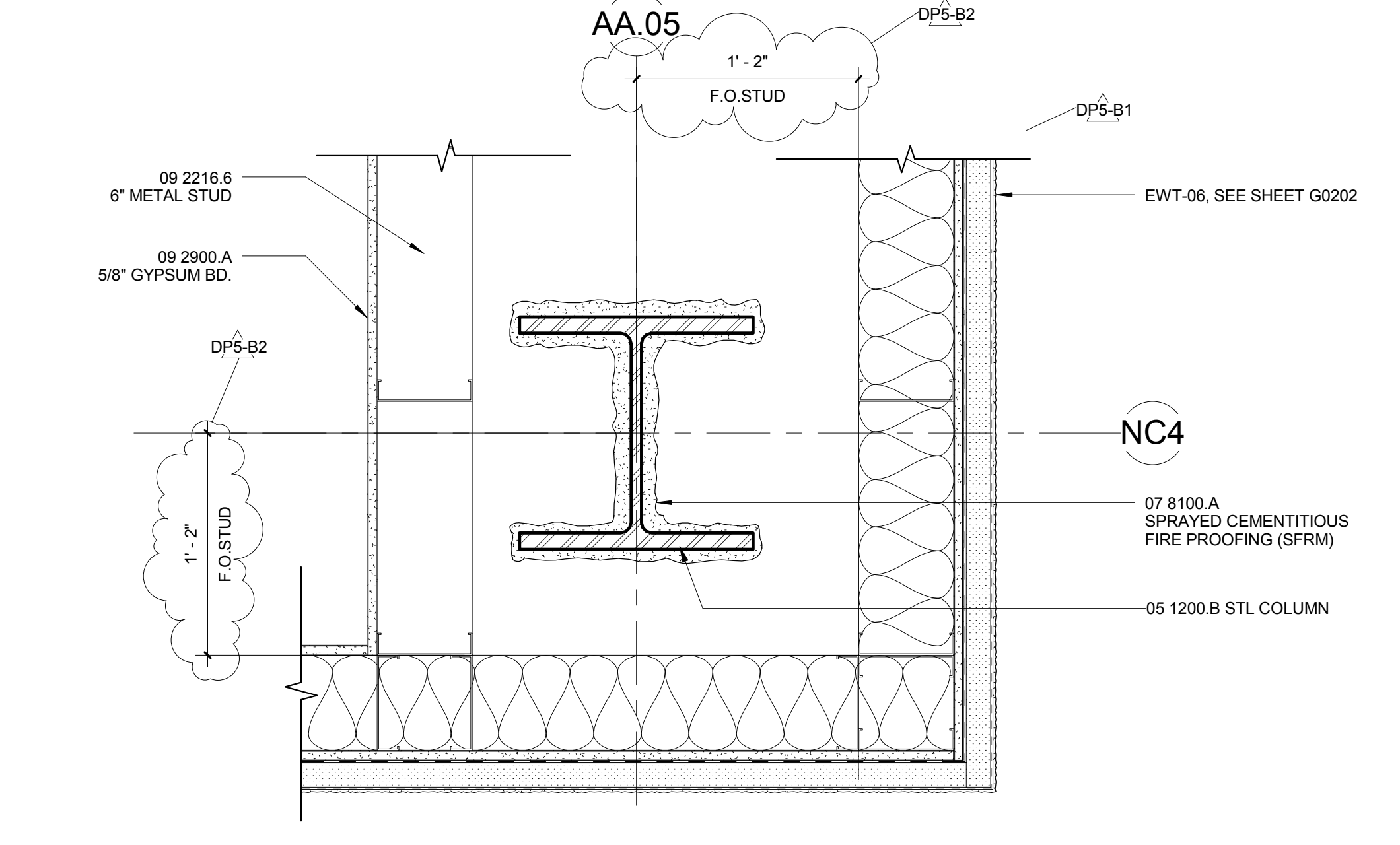
2 OUTSIDE CORNER WALL DETAIL



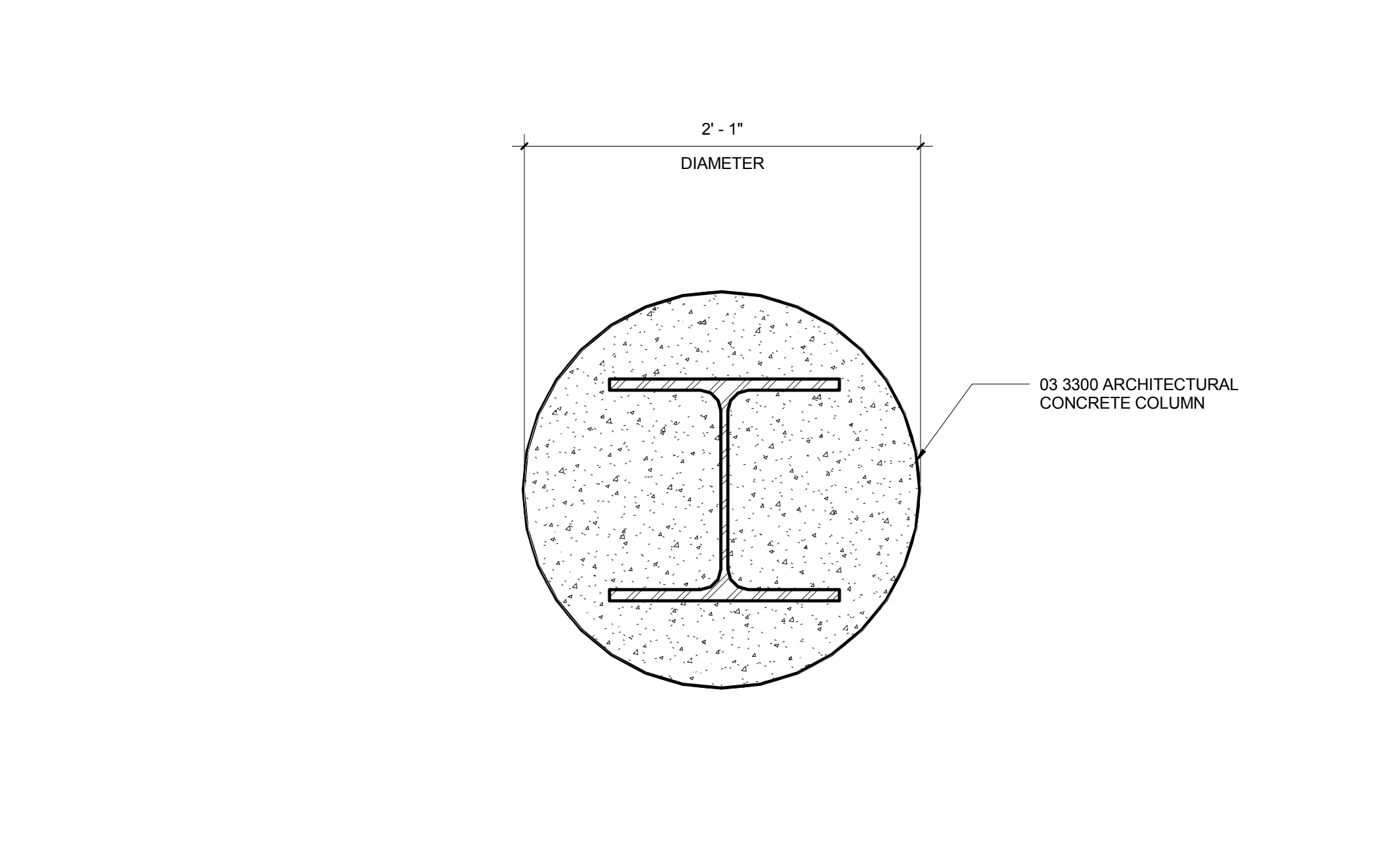
12 OUTSIDE CORNER WALL DETAIL



9 EXTERIOR INSIDE CORNER DETAIL



5 CORNER WALL DETAIL



1 TYPICAL COLUMN DETAIL

CONSULTANT	CONSULTANT	CONSULTANT
------------	------------	------------

FENTRESS ARCHITECTS

REV. NO.	DATE	DESCRIPTION	REV. NO.	DATE	DESCRIPTION
DP5-B1	2009 12 11	DESIGN PACKAGE #5			
DP5-B1	2010 01 08	DESIGN PACKAGE #5 BULLETIN 1			
DP5-B2	2010 02 15	DESIGN PACKAGE #5 BULLETIN 2			

Los Angeles World Airports

LAX Bradley West Concourse, North and South Concourse - CD

BUS GATE CONNECTOR DETAILS

Bradley West Concourse - 380 World Way, LA, CA 90045

LAX

A7111